

B&W

TITLE

BLACK GENERAL ASSEMBLY

DRG. NO.

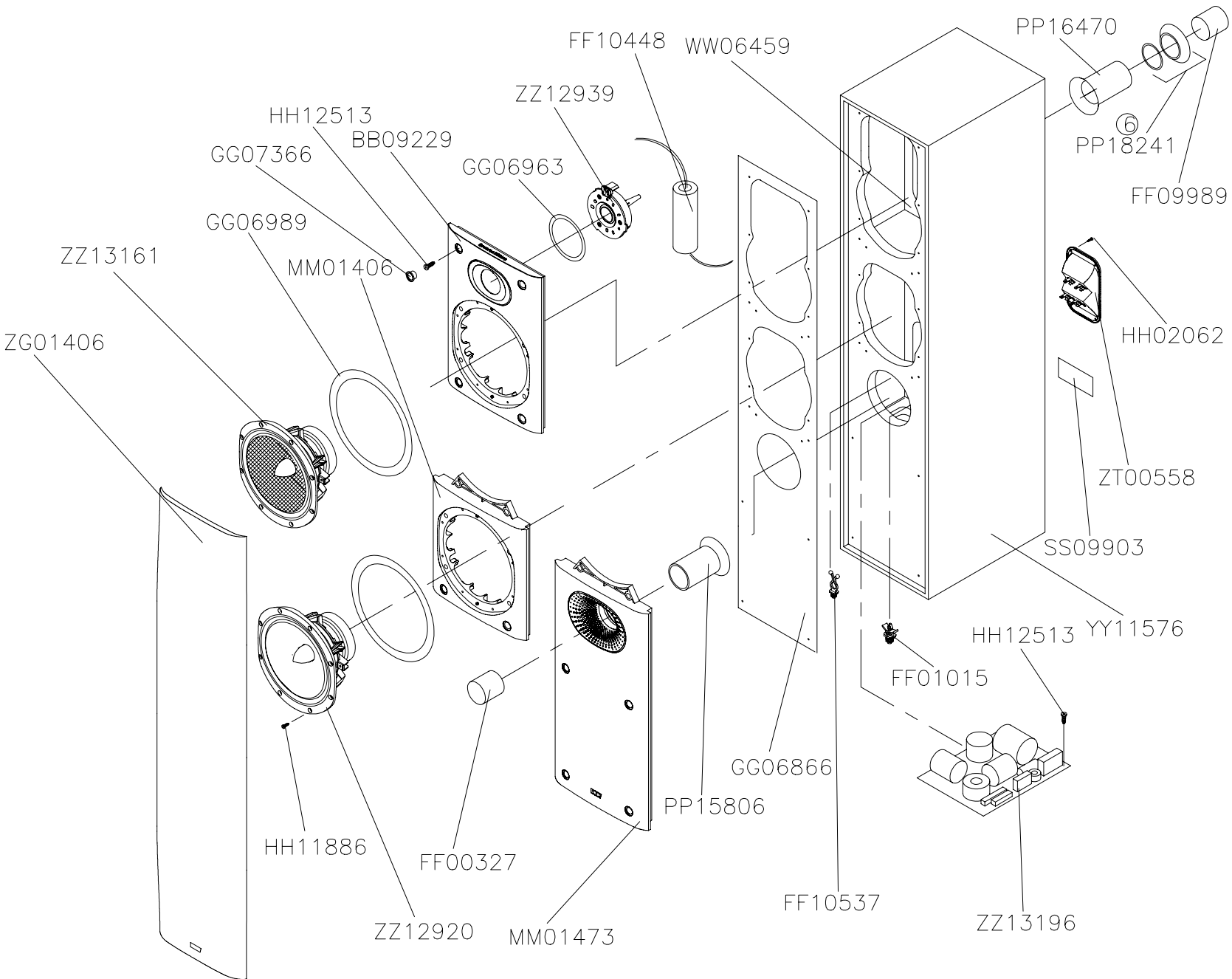
A4919-1-1

ISS

6

COPYRIGHT © 2001 DATE 10/01/01 DRAWN KW

PART NO.
FP12416



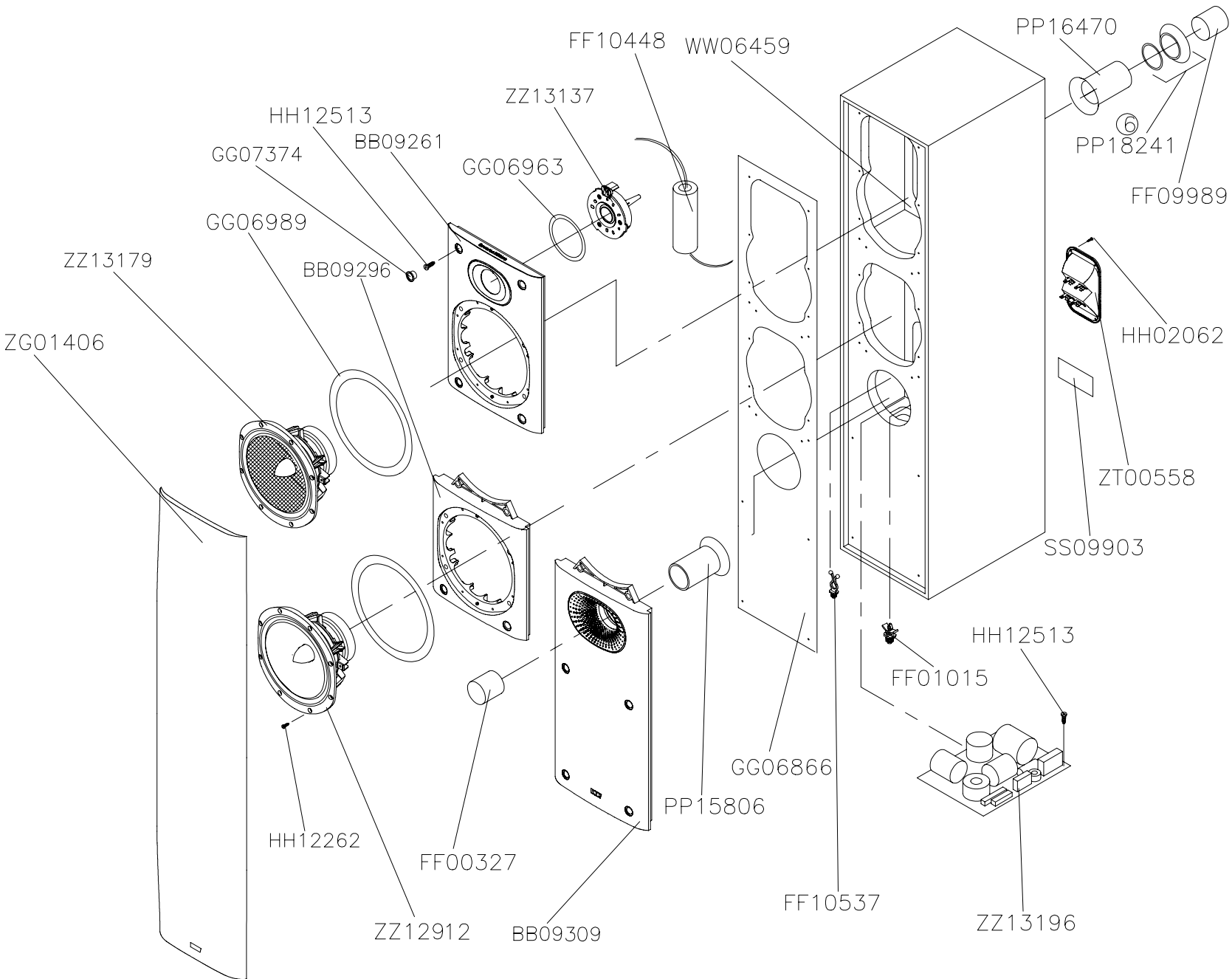
ISSUE	6	PP18241 WAS PP14192	AMENDMENT	1007	4.12.03	APPROVAL
-------	---	---------------------	-----------	------	---------	----------

B&W

TITLE
SORRENTO GENERAL ASSEMBLY

COPYRIGHT © 2001 DATE 10/01/01 DRAWN KW

DRG. NO. A4919-1-1
PART NO. FP12416
ISS 6



ISSUE	6	PP18241 WAS PP14192	AMENDMENT	1007	4.12.03	APPROVAL
-------	---	---------------------	-----------	------	---------	----------

B&W

TITLE

HF GENERAL ASSEMBLY

DRG. NO.

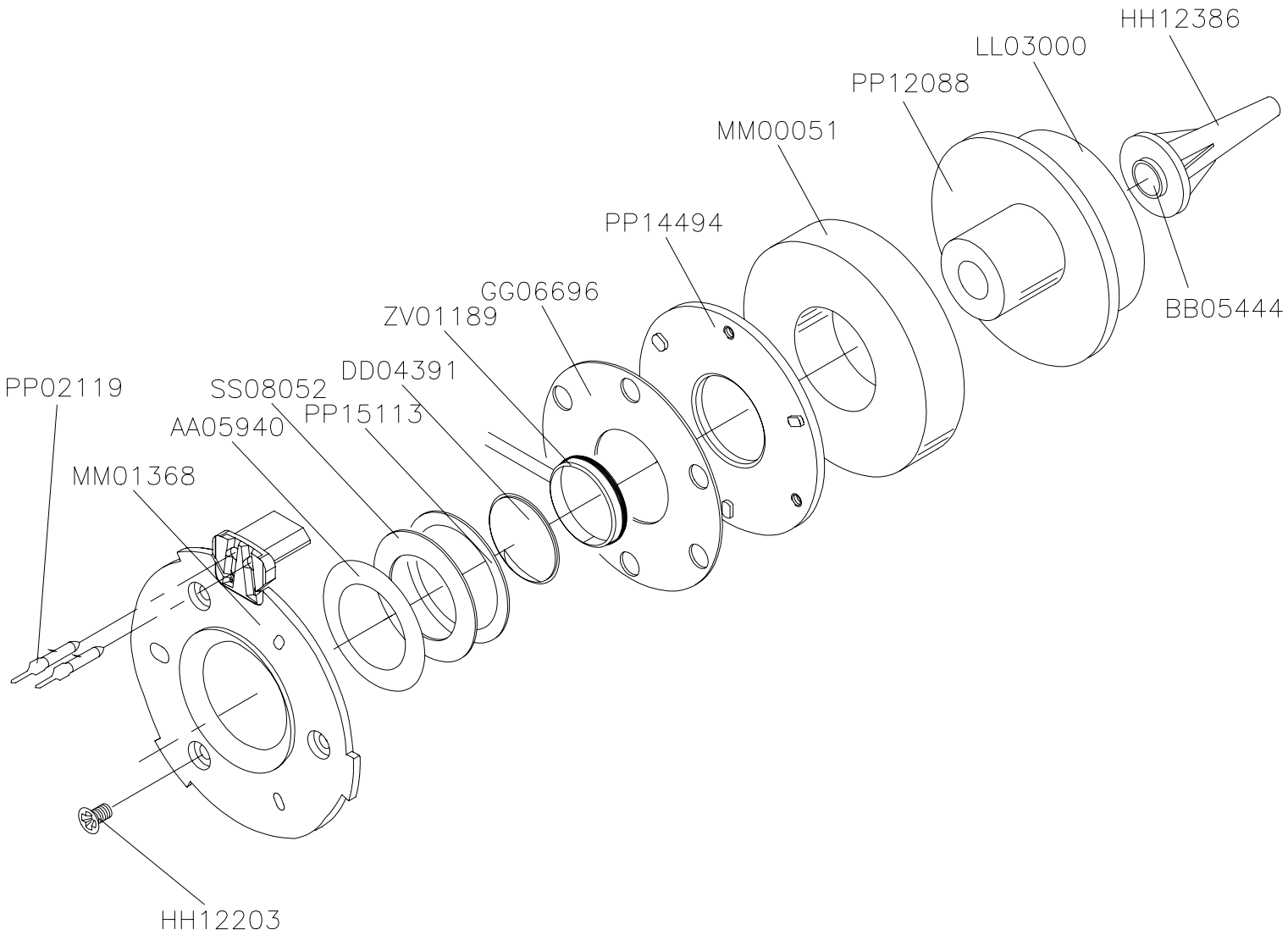
A4935-1-1

ISS
2

COPYRIGHT © 2001 DATE 18-01-01 DRAWN KW

PART NO.

ZZ12939

ISSUE
2TWEETER TUBE PLUG REMOVED
AMENDMENT

ECN No.

684

DATE

7-11-02

APPROVAL

B&W

TITLE

HF GENERAL ASSEMBLY

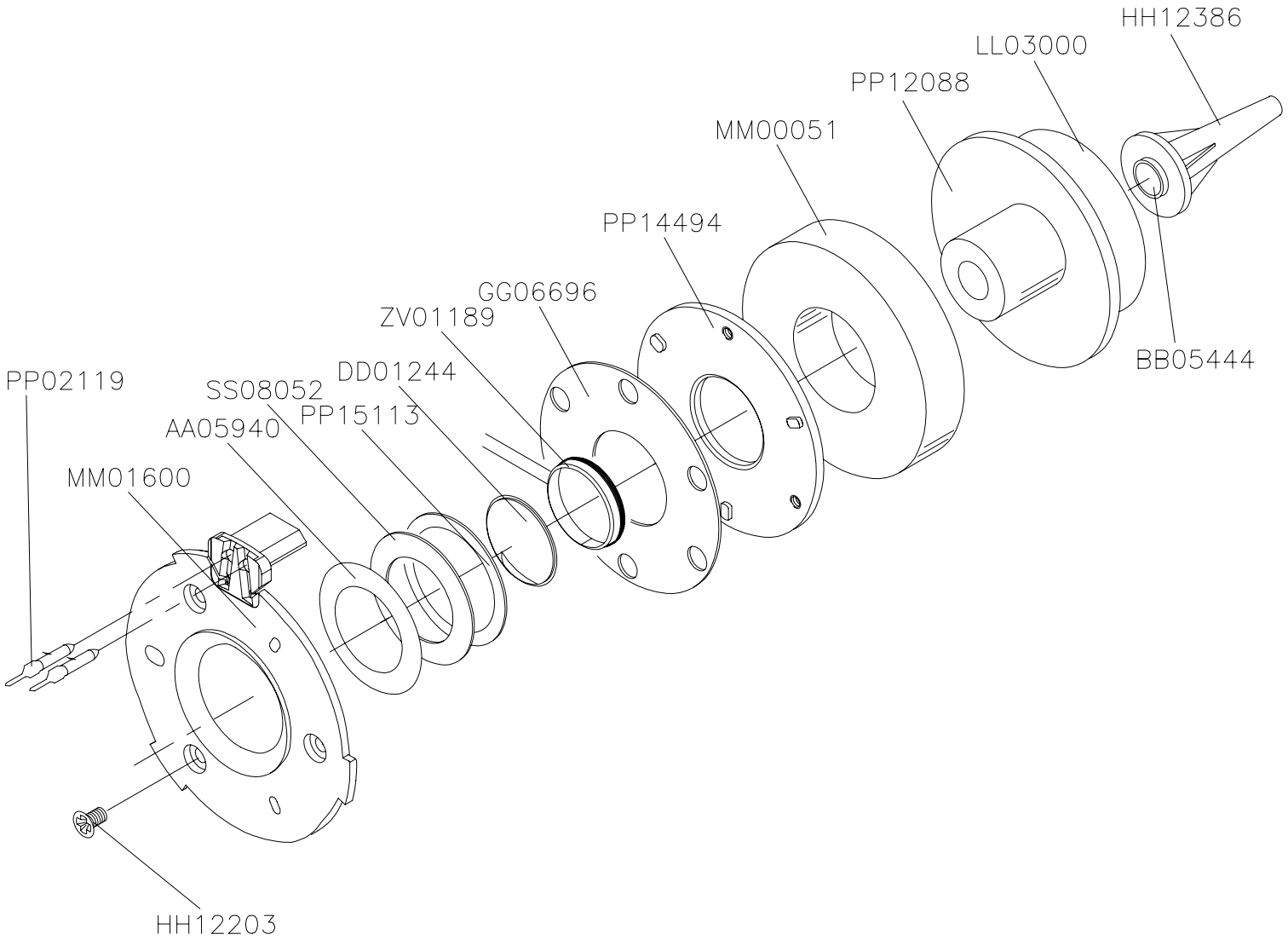
DRG. NO.

A5133-1-1

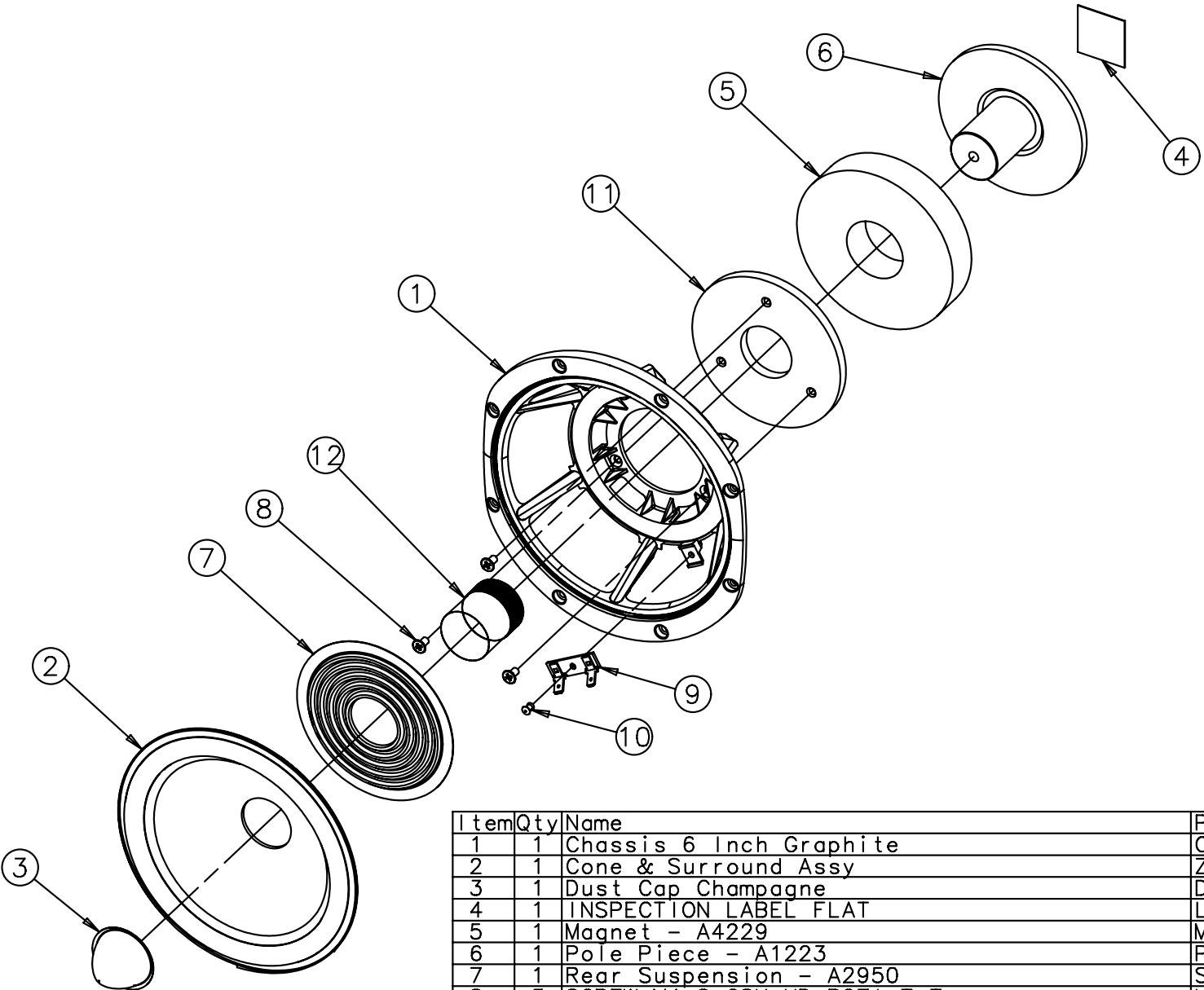
ISS
2

COPYRIGHT © 2001 DATE 16-07-01 DRAWN KW

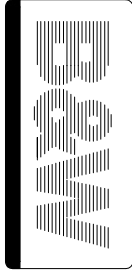
PART NO.
ZZ13137



2	TWEETER TUBE PLUG REMOVED	684	7-11-02	APPROVAL
ISSUE	AMENDMENT	ECN No.	DATE	



Item	Qty	Name	Part #
1	1	Chassis 6 Inch Graphite	CC11568
2	1	Cone & Surround Assy	ZS10749
3	1	Dust Cap Champagne	DD04685
4	1	INSPECTION LABEL FLAT	LL03000
5	1	Magnet - A4229	MM00884
6	1	Pole Piece - A1223	PP00981
7	1	Rear Suspension - A2950	SS06386
8	3	SCREW M4x8 CSK HD POZI T/T	HH01928
9	1	TAG PANEL 6.3 X 5.2 GOLD NO V GROOVE A6964	TT07765
10	1	TAG_RIVET	RR00213
11	1	Top Plate - A3617	PP10919
12	1	Voice Coil - A5059	ZV01279



TITLE
6" INCH KEVLAR BASS G. A.
SILVER

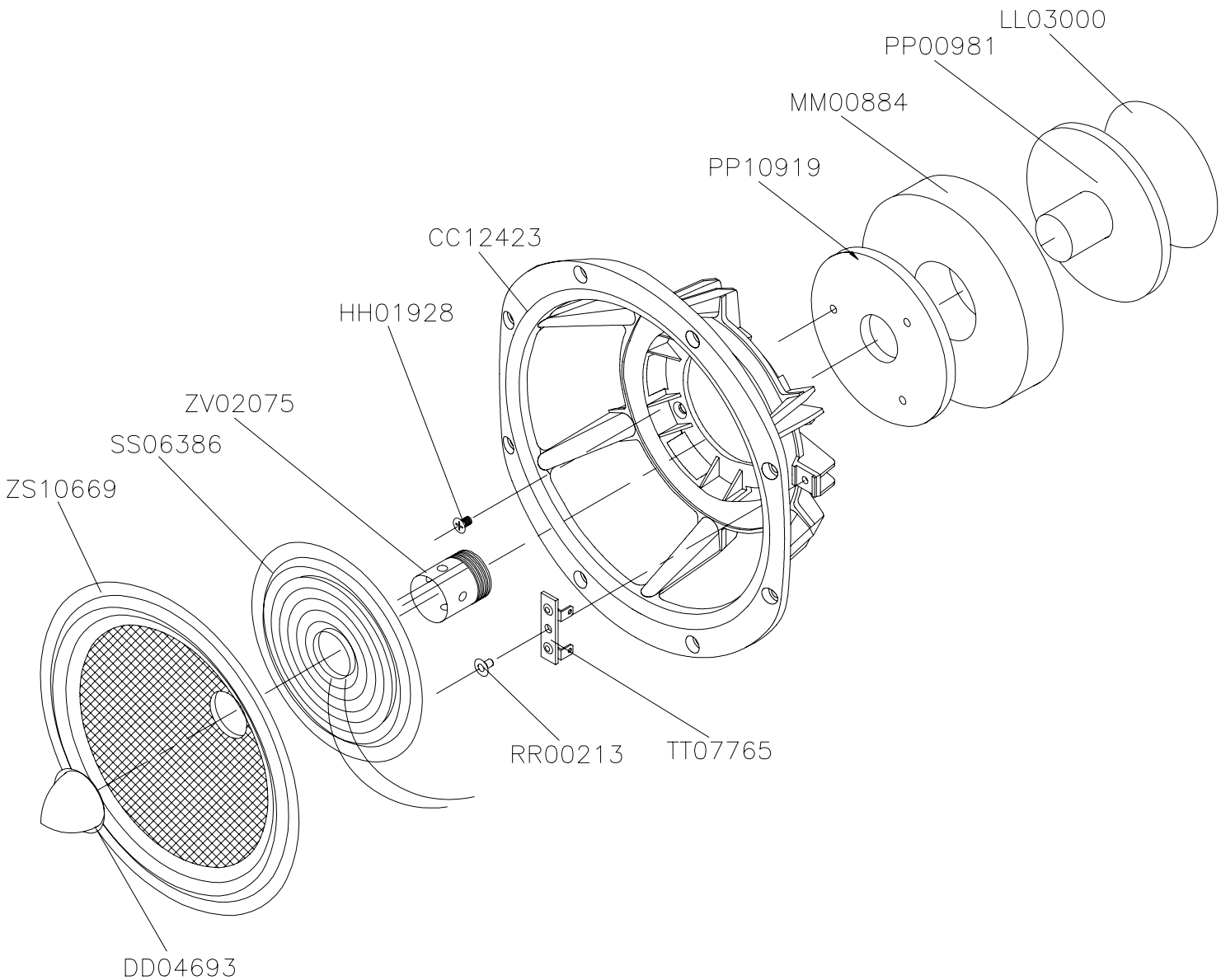
COPYRIGHT © 2001 DATE 06/11/01 DRAWN KW

DRG. NO.
A5273-1 -1

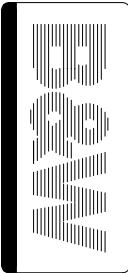
ISS

5

ZZ13179



5	TT07765 WAS TT07715	ECR1681	12.4.05	MB
ISSUE	AMENDMENT	ECN No.	DATE	APPROVAL



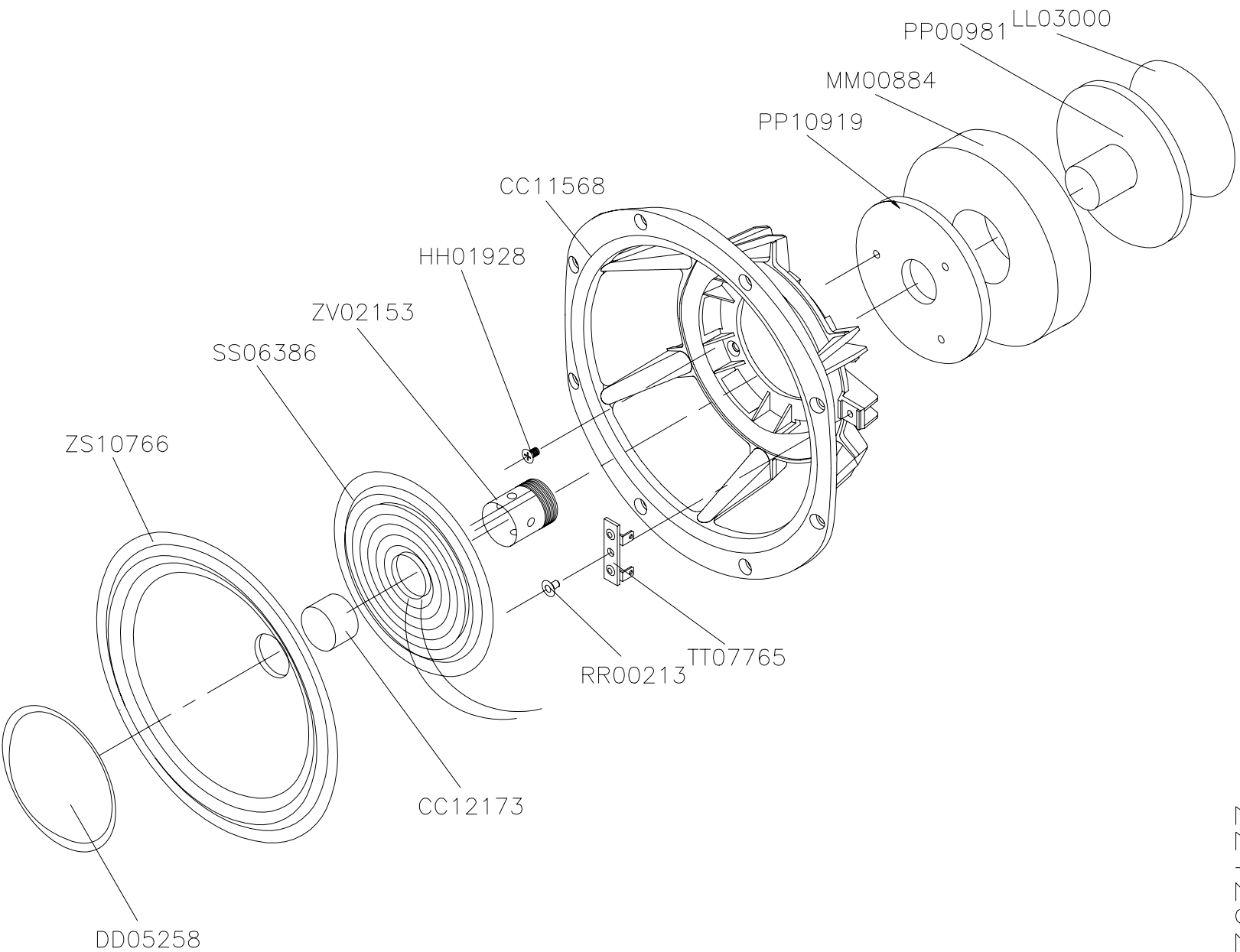
TITLE
6" ALUMINIUM BASS UNIT
GRAPHITE

COPYRIGHT © 2001 DATE 18/01/01 DRAWN KW

DRG. NO.
A4931-1-1

ISS
5

ZZ12920



ISSUE	5	DUST CAP CHANGE TO DD05258	ECR2350	26-7-06	APPROVAL
		AMENDMENT	ECN No.	DATE	



TITLE

GREY 6" ALUMINIUM DRIVER

DRG. NO.

A5143-1-1

ISS

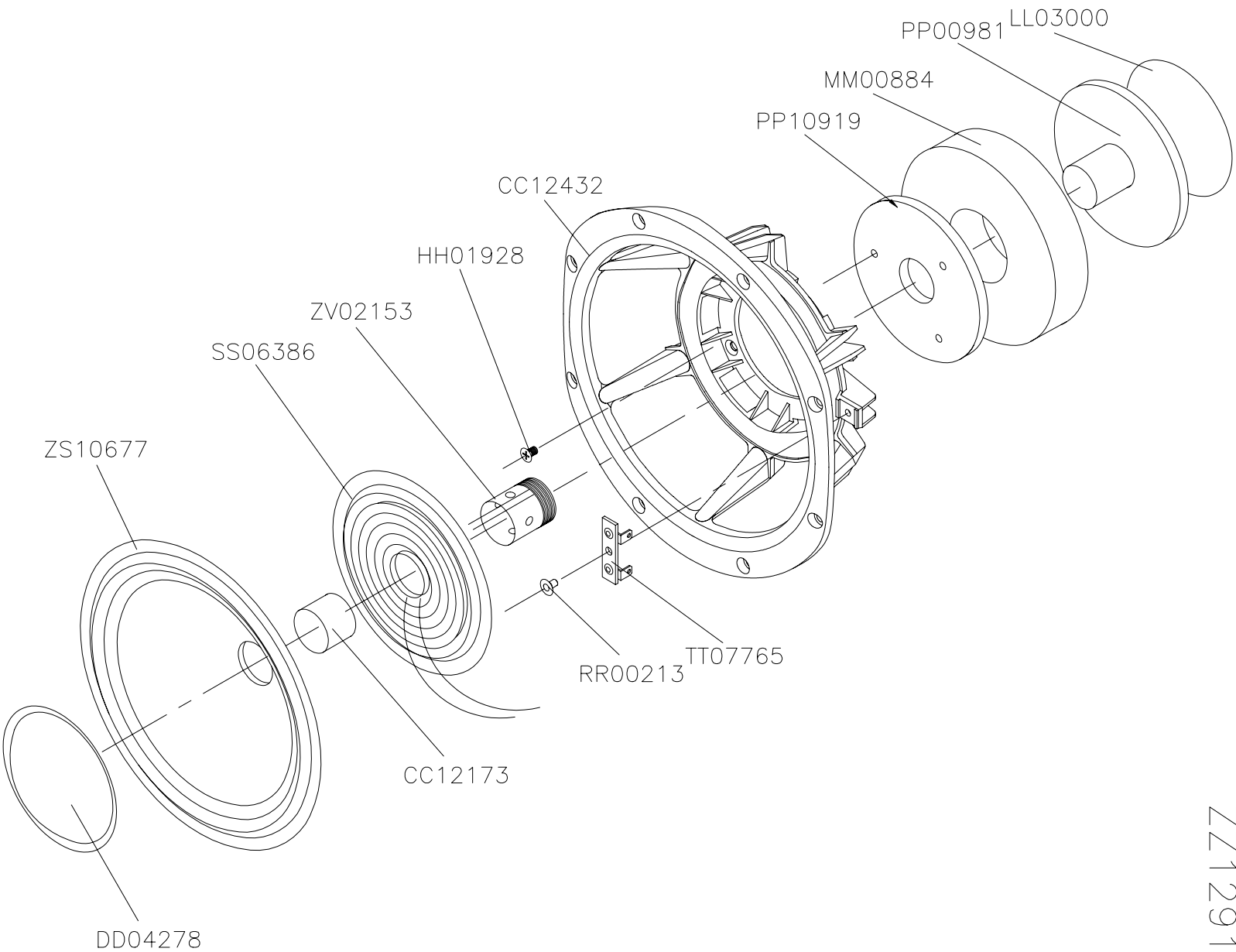
4

COPYRIGHT © 2001

DATE 19/07/01

DRAWN KW

ZZ12912



4	ZV02153 WAS ZV01198	ECR2114	22-1-06	APPROVAL
ISSUE	AMENDMENT	ECN No.	DATE	



TITLE

GRILLE ASSEMBLY

DRG. NO.

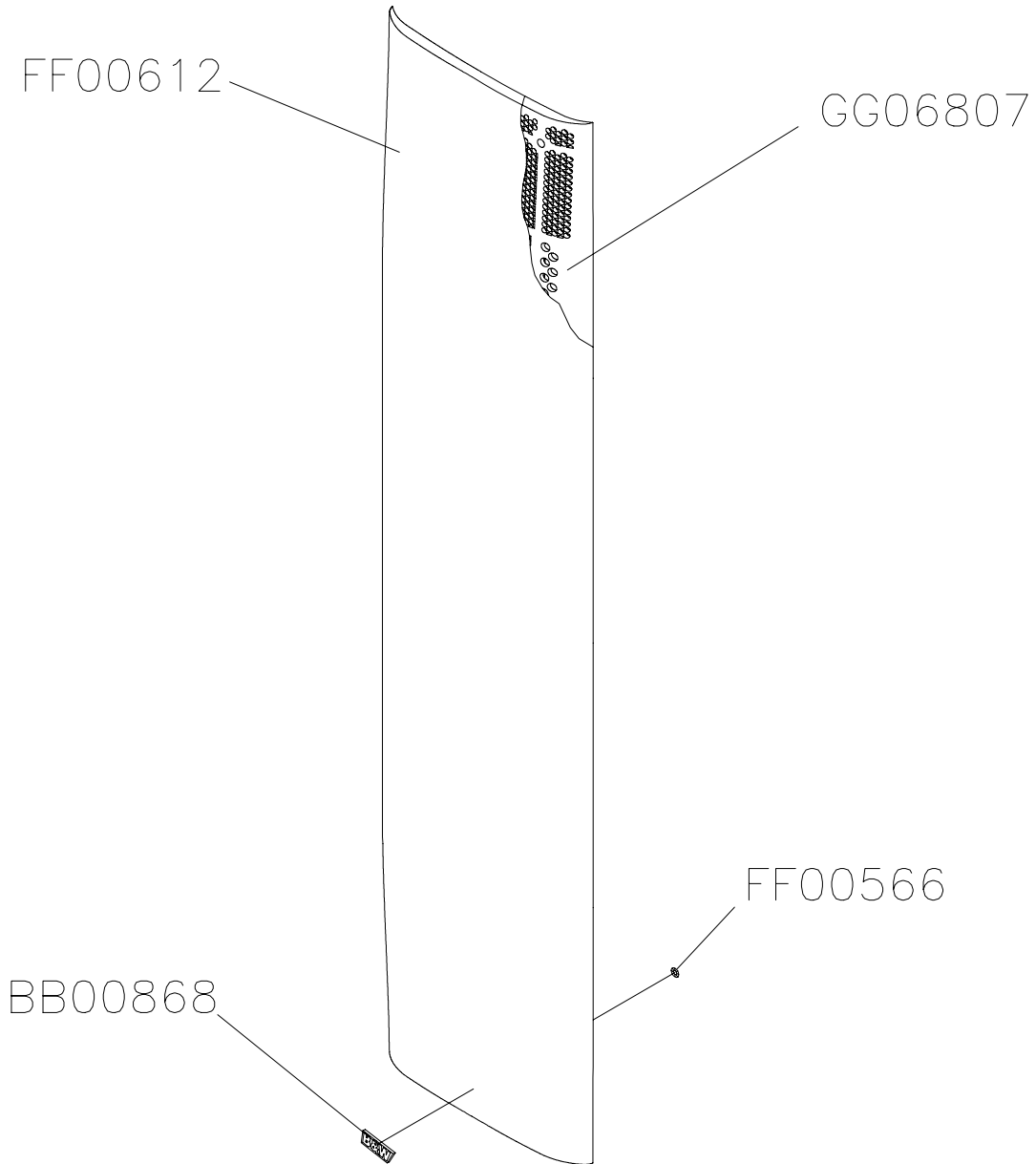
A 4968-1 -1

ISS

1

COPYRIGHT © 2001 DATE 12/02/01 DRAWN KW

ZG01406

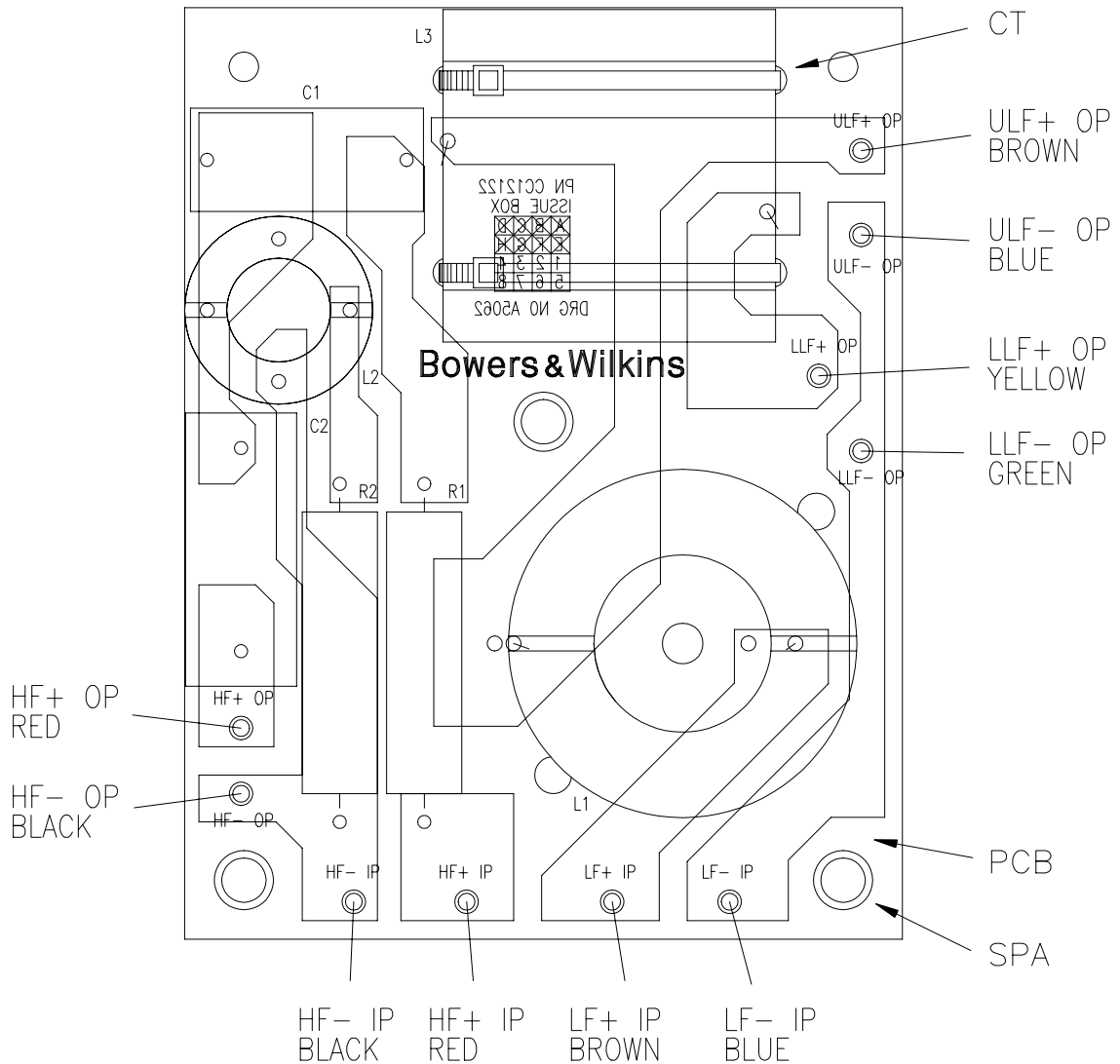


TENSION NOTE:
MAXIMUM DEFLECTION 5.5mm ABOUT TWEETER CENTREPOINT
USING A 22mm SPHERE WEIGHING 79.2g

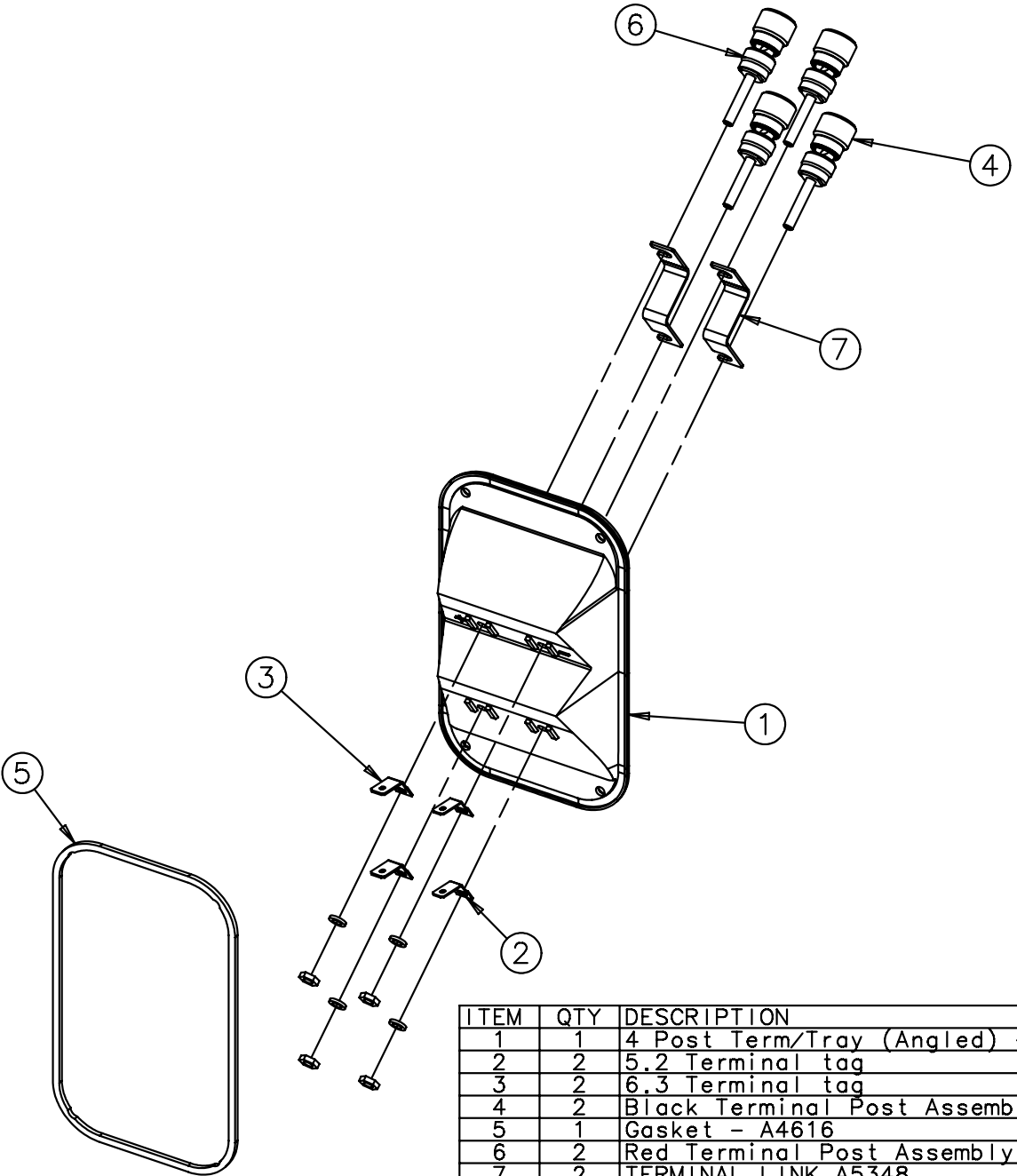


TITLE
603s3 CROSSOVER ASSEMBLY
 COPYRIGHT © 2001 DATE 26/04/01 DRAWN PLB

DRG. NO. A5063-1 -1
 ISS 1



ITEM	CODE NO	COMPONENT	VALUE	REMARKS
	ZZ13196	COMPLETE ASSEMBLY		DRG NO A4974
R1	RR06858	RESISTOR	0R47	7W
R2	RR06793	RESISTOR	1R8	7W
C1	CC11525	CAPACITOR	4u7	100V POLYESTER
C2	CC11533	CAPACITOR	10uF	100V POLYESTER
L1	ZL02720	INDUCTOR	0.7mH	1.2mm WIRE
L2	ZL02518	INDUCTOR	0.07mH	0.45mm WIRE
L3	ZL02739	INDUCTOR	5.0mH	0.9mm WIRE
CT	CC06513	CABLE TIE		2 OFF
SPA	HH10227	SPACER		3 OFF (RICHCO SRS8-4-01)
HAR	ZX07129	Harness assy		Drq. No. A5064
PCB	CC12122	P.C.B.		PRINTED CIRCUIT BOARD DRG NO A5062



ITEM	QTY	DESCRIPTION	PART
1	1	4 Post Term/Tray (Angled) - B4609	TT07013
2	2	5.2 Terminal tag	TT07129
3	2	6.3 Terminal tag	TT07110
4	2	Black Terminal Post Assembly - A4049	TT07161
5	1	Gasket - A4616	GG06688
6	2	Red Terminal Post Assembly - A4049	TT07153
7	2	TERMINAL_LINK_A5348	TT07412

2	ITEM 7: WAS TT07098	ECR526	5.12.02	APPROVAL
ISSUE	AMENDMENT	ECN No.	DATE	



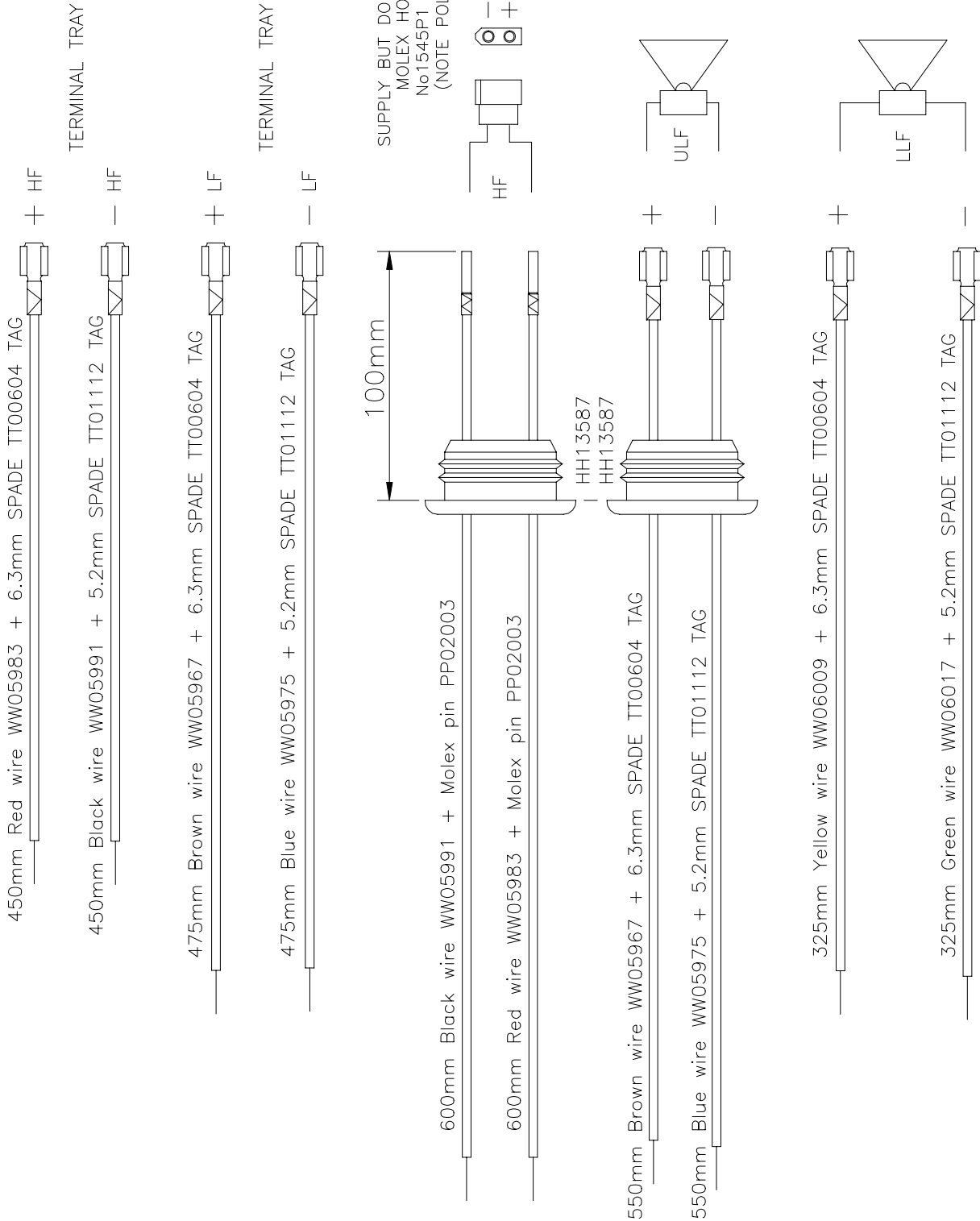
TITLE
603s3 HARNESS ASSEMBLY

COPYRIGHT © 2001 DATE 26/04/01 DRAWN PLB

DRG. NO.
A5064-1 -1

ISS
2

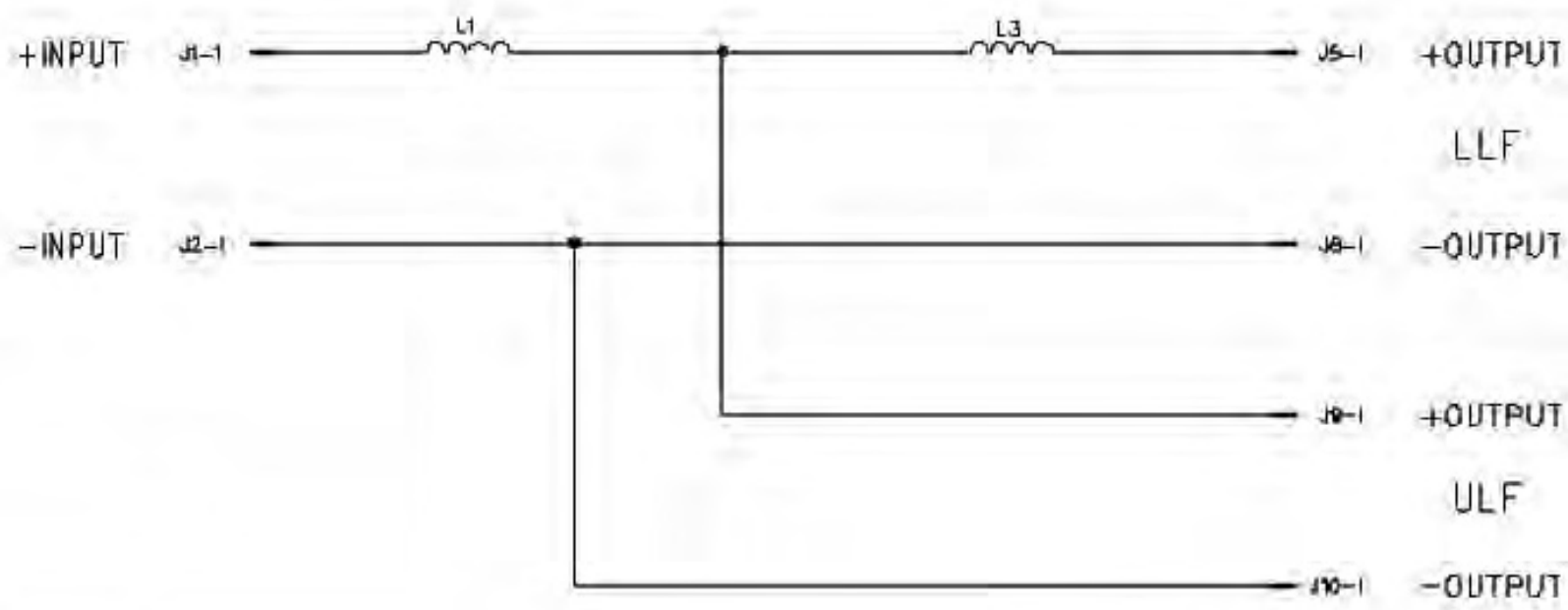
ZX07129



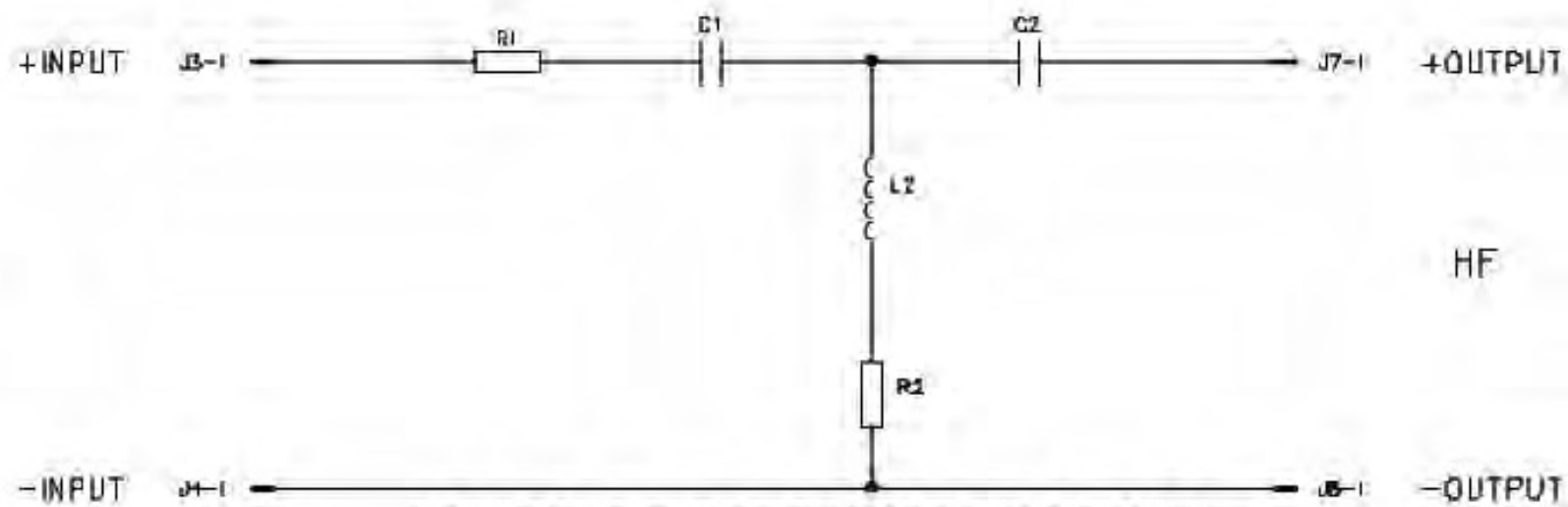
STRIPPED ENDS TO BE BETWEEN 6 AND 6.5mm
 TOLERANCE ON LENGTH ±5mm

2	2-OFF BUNGS HH13587 ADDED TO 600mm AND 550mm WIRE PAIRS, 100mm FROM TERMINAL END.	1047	24/06/04	MB
ISSUE	AMENDMENT	ECN No.	DATE	APPROVAL

LF



HF



DM603 S3 CIRCUIT DIAGRAM