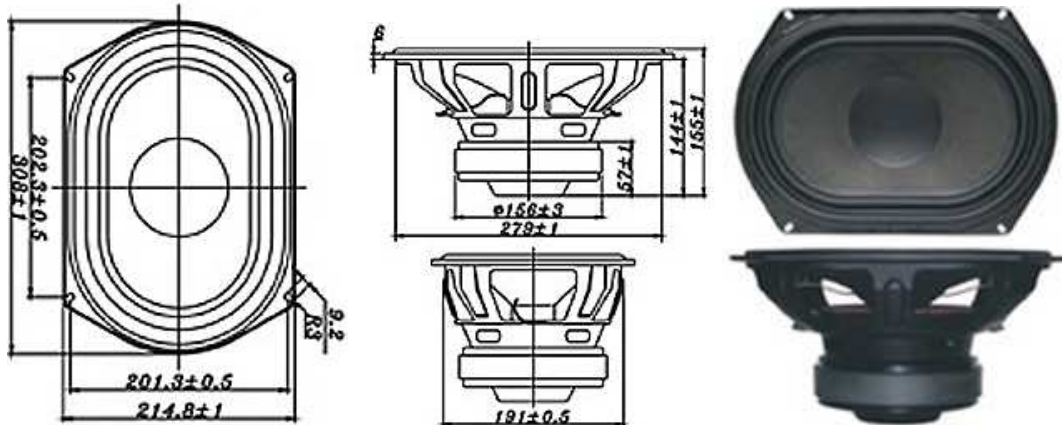


SU SERIES**W8Q-1071F**

8*12" PAPER SUBWOOFER

- LONG THROW HIGH POWER LOADING DESIGN
- OVAL SHAPE PAPER CONE WITH TWIN ROLL RUBBER SURROUND
- VENTED POLE PIECE
- STAMPED STEEL BASKET
- SUITABLE FOR SUBWOOFER APPLICATION

DIAPHRAGM MTL	Air Dry Paper
SURROUND MTL	Rubber W Shape
NOMINAL IMPEDANCE	4 Ω
DCR IMPEDANCE	3.2 Ω
SENSITIVITY 1W/1m	88 dB
FREQUENCY RESPONSE	27-200 Hz
FREE AIR RESONANCE	27 Hz
VOICE COIL DIAMETER	49.5 mm
AIR GAP HEIGHT	8 mm
RATED POWER INPUT	250 W
MAXIMUM POWER INPUT	500 W
FORCE FACTOR, BL	14.57 TM
MAGNET WEIGHT (50.4 oz)	1860 g
MOVING MASS	134.66 g
FERRO FLUID ENHANCED	No
SUSPENSION COMPL.	0.234 MN ⁻¹
EFFEC.PISTON AREA	0.0460 M ²
Levc	0.851 mH
Zo	46.13 ohm
X-max	12 mm
Vas	70.42 Litr.
Qts	0.34
Qms	4.6
Qes	0.36



TB SPEAKERS

VOICE:886.2.26570282 FAX:886.2.26580166
E-MAIL :info@tb-speaker.com

CLOSE